

Premium Smart-Twist®



Small, electric and battery operated inflator specifically designed for all sizes of modeling balloons.

- ▶ Digital display with battery level indicator.
- ▶ Digital sizing capabilities with time adjustment buttons.
- ▶ Battery can be charged during use for extended performance.

Air	Gas	Inflation Outlets	Large Latex	5"	160	260	350	Foil	Orbz/ Bubble
✓		2	✓	✓	✓	✓	✓		



www.premiumballoon.com

Premium Smart-Twist®



Congratulations on your purchase of this Premium Smart-Twist®

This booklet contains:

- *Operating Instructions*
- *Safety Instructions*
- *Registration & Warranty Information*

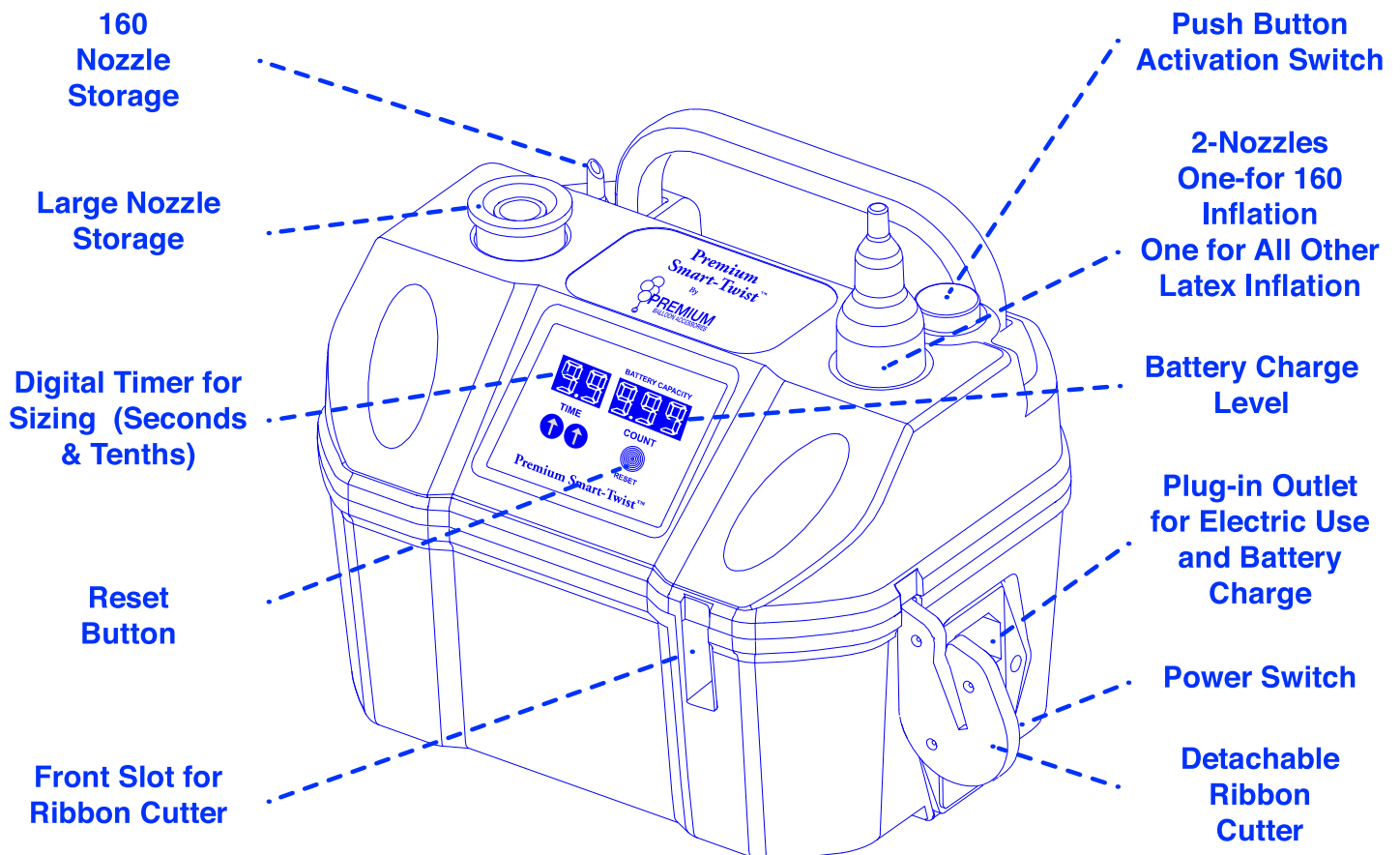
Please read carefully and register your Premium Smart-Twist®.

www.premiumballoon.com

The Premium Smart-Twist® is a small, electric and battery operated inflator specifically designed for all sizes of modeling balloons. It inflates all 160, 260, 350 and 5" balloons without any pre-stretching required. It will also inflate all 260 and 5" double stuffed balloons without any pre-stretching required.

The Premium Smart-Twist® has a digital display with battery level indicator. Digital sizing capabilities with time adjustment buttons and push activated inflation switch. It also has a rechargeable battery for use when working without power cord.

OPERATING INSTRUCTIONS



1. To begin use, plug your Premium Smart-Twist® into the wall socket for electric inflation and to fully charge battery. Position machine on a flat, level, dry surface. Slide inflator into carrying case and on shoulder with shoulder strap.
2. For timed inflation, simply set the desired inflation time in seconds and tenths of seconds, place the balloon on the inflation nozzle, press the red inflation button to begin inflation.
3. For non-timed inflation, set timer to 0.0 seconds.
4. To show inflation count, simply press both buttons that are used to adjust time. You will notice inflation count is shown on the battery capacity screen. After a few seconds, the screen will revert back to showing battery capacity.
5. When the power level is below 30%, the electronic screen will flash. Recharge as soon as possible.
6. Do not immerse this product in water, allow it to fall, or store anything heavy on top of it. If this product is damaged due to above-mentioned reasons, it is not covered in the warranty.

SAFETY INSTRUCTIONS

1. **Warning** – To prevent fire or shock. **Do Not** expose unit to water or moisture.
2. **Warning - Do Not** expose to excessive sunlight as this can damage the battery.
3. **Warning - Do Not** place hands, face, or any other objects over the inflation nozzle air discharge holes.
4. **Warning** – **Do Not** obstruct the inflation nozzles in any way or the air intake and discharge vents located at the bottom of the inflator.
5. To reduce risk of electric shock, unplug inflator before any external cleaning.
6. **Do Not** operate unit with damaged cord or plug. If power cord is damaged, it should only be replaced by authorized service personnel.
7. Make sure cord is situated so that it will not be stepped on, tripped over, or subject to damage or stress.

Premium Balloon Accessories® (PBA) One (1) Year Conditional Warranty (Subject to proper, intended use)

**In order to 'activate your warranty' you must register your Premium Smart-Twist®
at
www.premiumballoon.com**

The Premium Smart-Twist® was designed by, and manufactured for Premium Balloon Accessories® (PBA), under Exclusive License, is warranted against defects in material and workmanship for one year following the date of purchase if operated in accordance with PBA's printed recommendations and instructions. This warranty does not cover any defects or damages caused by unauthorized service or repair, or by damage to the Premium Smart-Twist® from misuse or abuse.

If the Premium Smart-Twist® housing has been opened, it will automatically void the warranty.

PBA SHALL NOT IN ANY EVENT BE LIABLE FOR ANY INCIDENTAL OR CONSEQUENTIAL DAMAGES OF ANY KIND, WHETHER FOR BREACH OF WARRANTY OR ANY OTHER REASON.

If your Premium Smart-Twist® is defective under warranty guidelines during the warranty period, contact PBA in the U.S.A. at +1-330-239-4547. To receive your Return Authorization Number please have the following information ready when contacting PBA:

- Date of Purchase
- Name and contact info for PBA Distributor where the unit was purchased
- Premium Smart-Twist® Inflator serial number
- Exact details of Premium Smart-Twist® Inflator problem

IMPORTANT

All products returned to PBA – for warranty repair – will not be accepted without a valid PBA Return Authorization Number.



www.premiumballoon.com